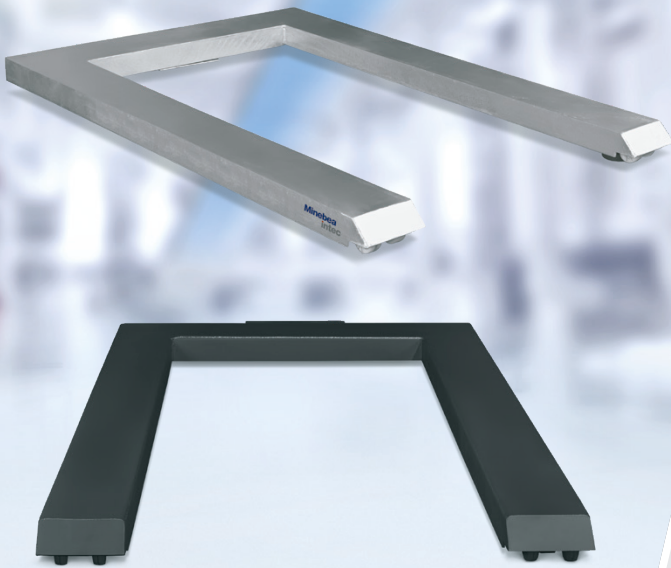


Pallet scale IUE

Affordable and robust solutions for efficient weighing tasks



! Benefits

- Easy-to-move thanks to handle, wheels and levelling device
- Various materials and capacities available
- Calibrated – suitable for commercial applications

The robust yet affordable pallet scales in the IUE series are the perfect choice for creating flexible weighing solutions for pallets in a range of industrial environments.

Robust pallet scales for a wide range of applications

- ! No need to remove the forklift truck's prongs from the pallet after lowering – simply lower and set down on the U frame.
- ! Full mobility – low weight, rollers and integrated handle.
- ! Made from painted steel or stainless steel with high IP protection rating – for dry or wet environments.
- ! Sturdy construction for long-term use, even in harsh industrial environments.

Technical specifications

General technical data for pallet scale IUES4 / IUEP4

Parameter	Description
Material	IUES4: AISI 304 stainless steel matt sand-blasted IUEP4: Painted steel
IP protection grade	IUEP (painted version): IP66 IUES (stainless steel version): IP67
Platform cable length	5 m
Operating temperature range accuracy class III	-10 ... +40°C
Operating temperature range not verified	-20 ... +60°C
Storage temperature range	-30 ... +75°C
Weighing system	Four C3 load cells
Resolution	Not verifiable up to 15,000 d, divisions verifiable for 3.000e
Miscellaneous	Four height-adjustable feet, handle and two rollers, levelling device

Pallet scale IUES...

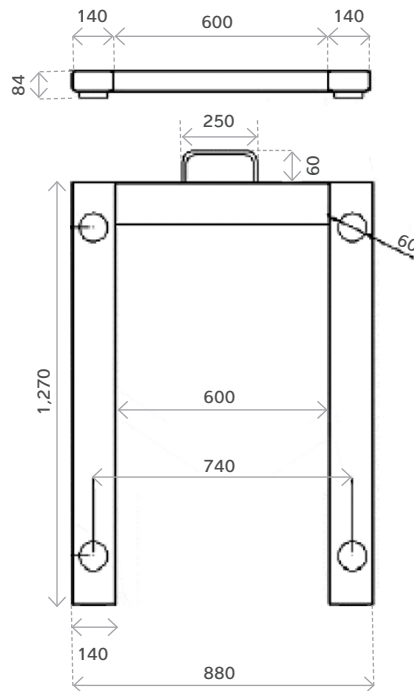
Order reference	Weighing range	Readability in g -BCE (3,000 e)	Weighing platform dimensions A × B in mm	Weighing platform cable
IUES4-150NI-BCE	150 kg	50	1,270 × 880	5 m
IUES4-300NI-BCE	300 kg	100	1,270 × 880	5 m
IUES4-600NI-BCE	600 kg	200	1,270 × 880	5 m
IUES4-1500NI-BCE	1,500 kg	500	1,270 × 880	5 m
IUES4-2000NI-BCE	2,000 kg	1000	1,270 × 880	5 m
IUES4-3000NI-BCE	3,000 kg	1000	1,270 × 880	5 m

Pallet scale IUEP...

Order reference	Weighing range	Readability in g -BCE (3,000 e)	Weighing platform dimensions A × B in mm	Weighing platform cable
IUEP4-150NI-BCE	150 kg	50	1,270 × 880	5 m
IUEP4-300NI-BCE	300 kg	100	1,270 × 880	5 m
IUEP4-600NI-BCE	600 kg	200	1,270 × 880	5 m
IUEP4-1500NI-BCE	1,500 kg	500	1,270 × 880	5 m
IUEP4-2000NI-BCE	2,000 kg	1000	1,270 × 880	5 m
IUEP4-3000NI-BCE	3,000 kg	1000	1,270 × 880	5 m

Technical diagrams

Pallet scale IUES4 / IUEP4



The technical data given serves as a product description only and should not be understood as guaranteed properties in the legal sense.

All dimensions in mm

Operating limits – load capacity

Weighing range in kg	Centre load-bearing capacity in kg
150	150
300	300
600	600
1,500	1,500
2,000	1,000 on each arm of the scale
3,000	1,500 on each arm of the scale

Own weight and packaging data

Size code	Dimensions (A × B in mm)	Net weight in kg	Gross weight in kg	Packaging		
				Length in mm	Width in mm	Height in mm
IUES4	1,270 × 880	54	64	1,500	1,000	300

Own weight and packaging data

Size code	Dimensions (A × B in mm)	Net weight in kg	Gross weight in kg	Packaging		
				Length in mm	Width in mm	Height in mm
IUEP4	1,270 × 880	54	66.5	1,500	1,000	300

Ordering information

Ordering system legend for pallet scales IUE							
Product range	Material/Version	Number of load cells		Weighing range (kg)	Weighing platform size		Display resolution
IUE	P	4	–	150	NI	–	BCE
	S			300			
				600			
				1,500			
				2,000			
				3,000			

Example order code: IUES4-1500NI-BCE

Material/Version	
P	Painted steel
S	Stainless steel
-BCE	legal-for-trade 3.000e

The products and solutions presented in this data sheet make major contributions in the following sectors:



The technical data given serves as a product description only and should not be understood as guaranteed properties in the legal sense.

Specifications subject to change without notice.
Rev. 03/2023

Minebea Intec Bovenden GmbH & Co. KG
Leinetal 2
37120 Bovenden, Germany
Phone +49,551,309.83.0
sales.industry@minebea-intec.com
www.minebea-intec.com