

Operating Instructions

Puro® Thermal Direct Printer YP-DP1



Foreword

Must be followed!

Any information in this document is subject to change without notice and does not represent a commitment on the part of Minebea Intec unless legally prescribed. This product should only be operated/installed by trained and qualified personnel. In correspondence concerning this product, the type, name, and release number/serial number as well as all license numbers relating to the product have to be cited.

Note

This document is partially protected by copyright. It may not be changed or copied, and it may not be used without purchasing or written permission from the copyright owner (Minebea Intec). The use of this product constitutes acceptance by you of the abovementioned provisions.

Table of contents

1	Introduction	2
1.1	Read the manual.....	2
1.2	This is what operating instructions look like.....	2
1.3	This is what lists look like.....	2
1.4	This is what menu items and softkeys look like.....	2
1.5	This is what the safety instructions look like.....	2
2	Safety instructions	4
2.1	General information.....	4
2.2	Incoming goods inspection.....	4
2.3	Before operational startup.....	4
3	Device description	5
3.1	Overview.....	5
3.2	Dimensions.....	6
3.2.1	Paper format.....	6
4	Device installation	7
4.1	Electrical supply.....	7
4.2	Data interface.....	7
4.3	Suspend printer.....	8
5	Operating	9
5.1	Connecting and switching on the device.....	9
5.2	Self-test.....	9
5.3	Menu.....	9
5.4	Changing the paper roll.....	9
6	Waste disposal policy	11
7	Specification	12
7.1	Equipment supplied.....	12
7.2	Technical data.....	12
8	Appendix	13
8.1	FCC notice.....	13

1 Introduction

1.1 Read the manual

- Please read this manual carefully and completely before using the product.
- This manual is part of the product. Keep it in a safe and easily accessible location.

1.2 This is what operating instructions look like

1. - n. are placed before steps that must be done in sequence.
 - ▶ is placed before a step.
 - ▷ describes the result of a step.

1.3 This is what lists look like

- indicates an item in a list.

1.4 This is what menu items and softkeys look like

[] frame menu items and softkeys.

Example:

[Start]- [Applications]- [Excel]

1.5 This is what the safety instructions look like

Signal words indicate the severity of the danger involved when measures for preventing hazards are not followed.

DANGER

Warning of personal injury

DANGER indicates death or severe, irreversible personal injury which will occur if the corresponding safety measures are not observed.

- ▶ Take the corresponding safety precautions.

WARNING

Warning of hazardous area and/or personal injury

WARNING indicates that death or severe, irreversible injury may occur if appropriate safety measures are not observed.

- ▶ Take the corresponding safety precautions.

CAUTION

Warning of personal injury.

CAUTION indicates that minor, reversible injury may occur if appropriate safety measures are not observed.

- ▶ Take the corresponding safety precautions.

NOTICE

Warning of damage to property and/or the environment.

NOTICE indicates that damage to property and/or the environment may occur if appropriate safety measures are not observed.

- ▶ Take the corresponding safety precautions.
-

Note:

User tips, useful information, and notes.

2 Safety instructions

2.1 General information

- The device may only be used as intended for printing tasks.
- Observe the operating limits of the device.
- Unplug the power cord from the mains supply before cleaning.
- Make sure that no liquid enters the device.

2.2 Incoming goods inspection

Check the contents of the consignment for integrity. Check the contents visually to determine whether any damage has occurred during transport. If there are grounds for rejection of the goods, a claim must be filed with the carrier immediately. A Minebea Intec sales or service organization must also be notified.

Check the contents of the consignment for integrity. Check the contents visually to determine whether any damage has occurred during transport. If there are grounds for rejection of the goods, a claim must be filed with the carrier immediately. A Minebea Intec sales or service organization must also be notified. Visit our website <http://www.puroscales.com> or contact your dealer.

2.3 Before operational startup

NOTICE

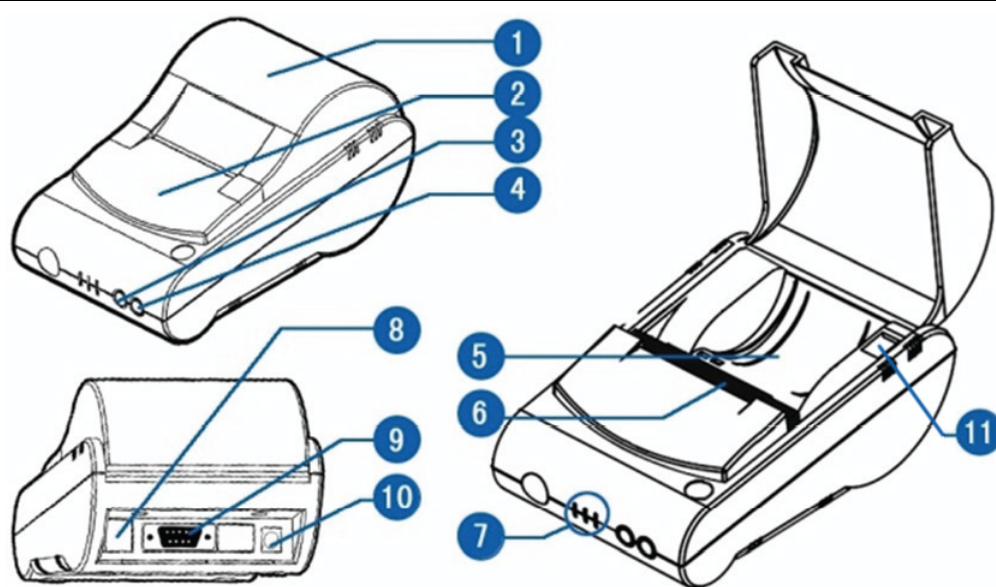
Perform visual inspection.

Before operational startup as well as after storage or transport, inspect the product visually for signs of mechanical damage.

- ▶ The product should not be put into operation if it displays signs of visible damage and/or is defective.

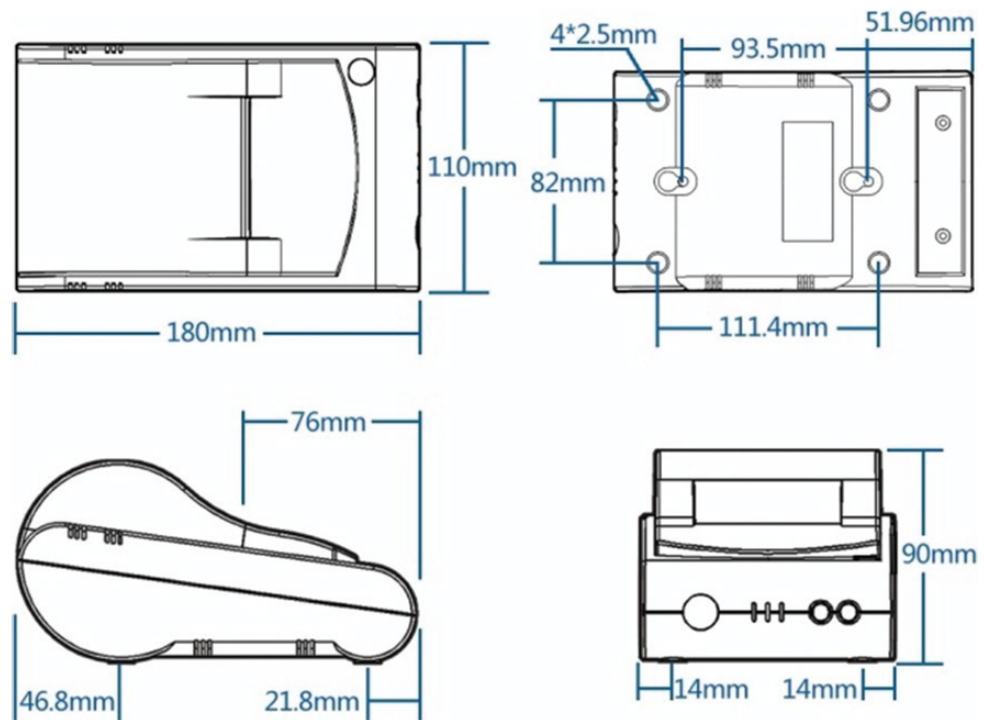
3 Device description

3.1 Overview



1	Paper compartment cover
2	Frame
3	SEL key
4	LF key
5	Paper compartment
6	Printhead
7	Display light
8	Reserve compartment
9	Interface connection RS-232
10	Power connection
11	ON/OFF switch

3.2 Dimensions

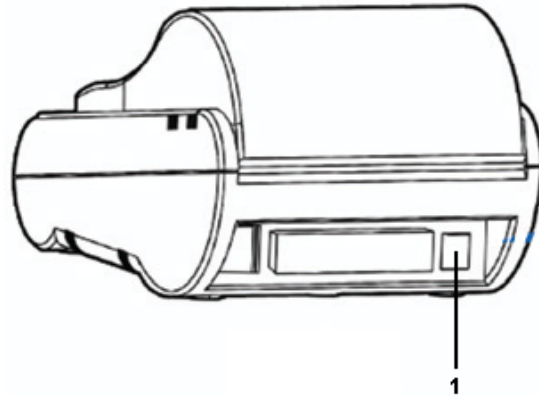


3.2.1 Paper format

Paper type	Thickness	Width	Diameter
Thermal paper	0.06–0.08 mm	57±0.5 mm	Max. 50 mm

4 Device installation

4.1 Electrical supply



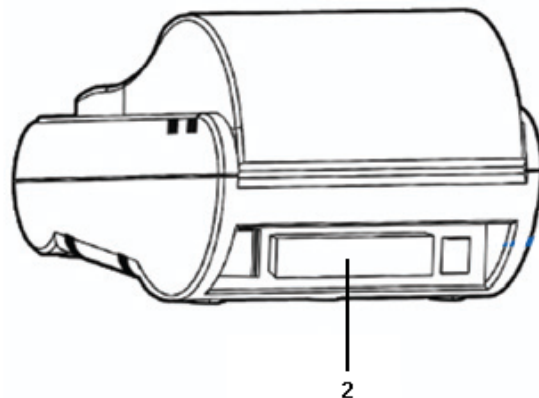
(1) Power connection

⚠ WARNING

Warning of property damage and/or personal injury due to incorrect supply voltage.

► The supplied power supply unit must be used without fail.

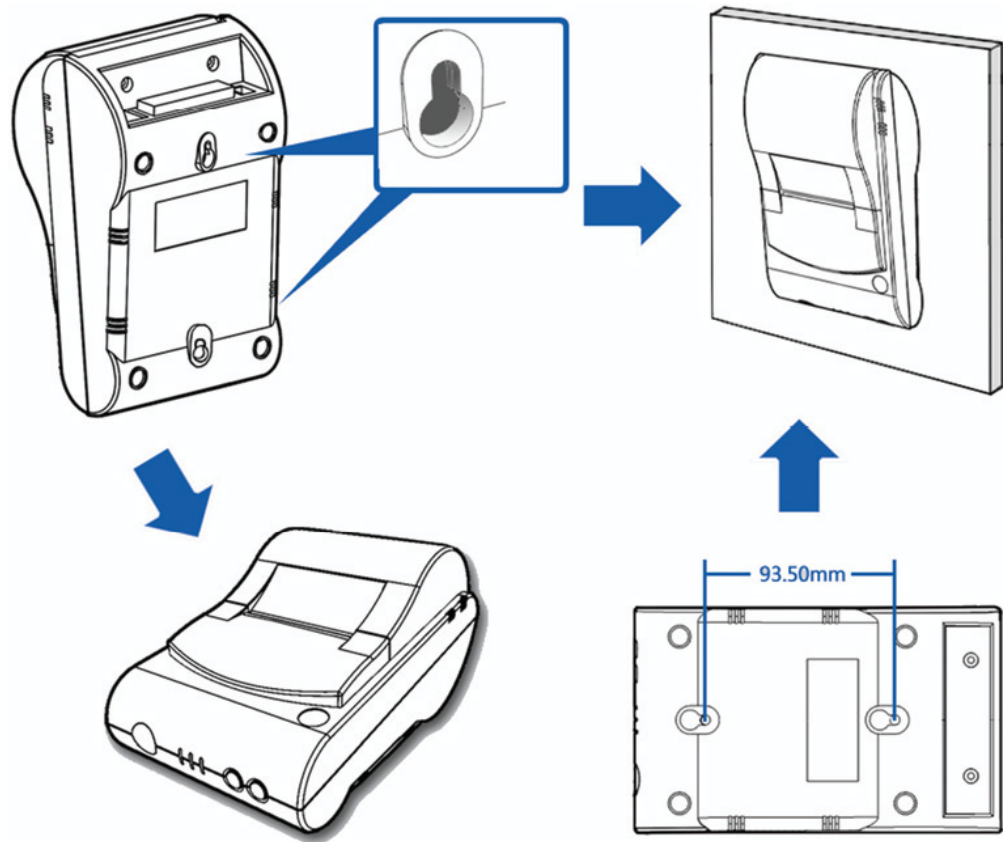
4.2 Data interface



(2) Interface connection

Use supplied connecting cable YP-CAS1.

4.3 Suspend printer



1. Drill two mounting holes spaced 93.5 mm apart in the desired position.
2. Screw in two screws.
3. Suspend the printer.

5 Operating

5.1 Connecting and switching on the device

Please follow these steps:

1. The ON/OFF switch must be in the OFF position.
2. Connect the power cord of the power supply unit to the power connection of the printer.
3. Connect the power supply unit to the electrical outlet.
4. Set the ON/OFF switch to ON.
 - ▷ After switching on the printer, the red indicator lamp illuminates and indicates that the printer is switched on.

The printer is ready for use as soon as the green light illuminates permanently.

If the green light is off, the printer is offline and cannot receive data.

If the green light is flashing, there is no paper available and the printer cannot receive data.

5.2 Self-test

Switch on the printer, holding down the LF key at the same time.

The self-test script is now printed, which also contains the current menu settings.

5.3 Menu

Switch on the printer, holding down the SEL key at the same time. The first menu item is printed. This can now be changed using the LF key. Use the SEL key to save the current printed selection and switch to the next menu item.

5.4 Changing the paper roll

CAUTION

Warning of personal injury.

The printhead may be hot!

- ▶ Leave the printhead to cool before changing the paper roll.



1. Open the cover of the paper compartment (see Fig. 2).
2. Push the roll holder through the paper roll and lightly press the paper roll and holder into the slot for the holder. Unwind a bit of paper so that it protrudes beyond the paper compartment (see Fig. 3).

When using thermal paper, pay attention to the direction that the paper runs in (see Fig. 1).

3. Switch on the printer using the switch in the paper compartment (see Fig. 3).
 4. Close the cover of the paper compartment (see Fig. 4).
- ▷ The green light illuminates permanently and the printer is ready for use.

6 Waste disposal policy

If the packaging is no longer required, please take it to your local waste disposal facility and/or a reputable disposal company or collection point. The packaging largely consists of environmentally friendly materials, which are suitable for recycling.

It is not permitted—even for small businesses—to dispose of this product with the regular household waste or at collection points run by local public waste disposal companies.

EU legislation requires its Member States to collect electrical and electronic equipment and dispose of it separately from other unsorted municipal waste so that it can then be recycled.

Before disposing of or scrapping the product, any batteries should be removed and taken to a suitable collection point.

Please see our T&Cs for further information.

We reserve the right not to accept products that have been contaminated with hazardous substances (ABC contamination) for repair.

7 Specification

7.1 Equipment supplied

No.	Pos.
1	Printer YP-DP1
2	Safety instructions and QR code for access to the complete documentation
3	Connecting cable YP-CAS1
4	Power supply

7.2 Technical data

Item	Specification
Electrical supply	U _{DC} = 24 V, 2 A (power supply)
Printing process	Thermal direct line printing
Paper width	57 mm
Resolution ratio	8 points/mm (384 points/line)
Characters per line	64/32/24
Printing speed	50 mm/s (with a workload of 25%)
Character size	6X8 points, 8x16 points, or 12x24 points
Chinese character library	GB2312, 16x16 points, or 24x24 points
Supplied paper	57 mm wide, 50 mm diameter
Interface	RS-232
Operating temperature (°C)	5...50
Storage temperature (°C)	-20...60
Operating humidity (%)	10...80
Storage humidity (%)	10...90

8 Appendix

8.1 FCC notice

Note:

This device has been tested and found to comply with the limits for digital devices of class B as per part 15 of the FCC regulations. These limits were created in order to ensure appropriate protection against interference when operating in residential areas. This device generates, uses, and may emit high-frequency energy and, if it is not installed and used in accordance with the operating instructions, may cause interference with radio communication. However, there is no guarantee that interference will not occur in certain facilities. If this device causes interference with the radio or television reception, which can be determined by switching the device off and then back on again, we recommend one or more of the following measures to eliminate the interference:

- Realignment or repositioning of the reception antenna
 - Increasing the distance between the device and the receiver
 - Connecting the device and the receiver to separate electric circuits
 - Call in the dealer or an experienced radio/television technician
-

Published by
Minebea Intec Bovenden GmbH & Co. KG | Leinetal 2 | 37120 Bovenden, Germany
Phone: +49.551.309.83.0 | Email: info@minebea-intec.com
www.minebea-intec.com

